

# GLL PROSNK C

## GALLERY Tap Range Gallery Pro Glide Professional Sink Mixer Chrome



### Features:

- Pull-out handset with 600mm flexible hose
- Intelligently designed spout ensures the handset rotates to the correct angle, whilst two magnets ensure the hose and handset is perfectly retracted and docked every time
- Long life ceramic cartridge for added durability and ease of use
- Metal fixing nut for added durability
- Minimum working pressure of 1.5 bar

### Product Certifications:



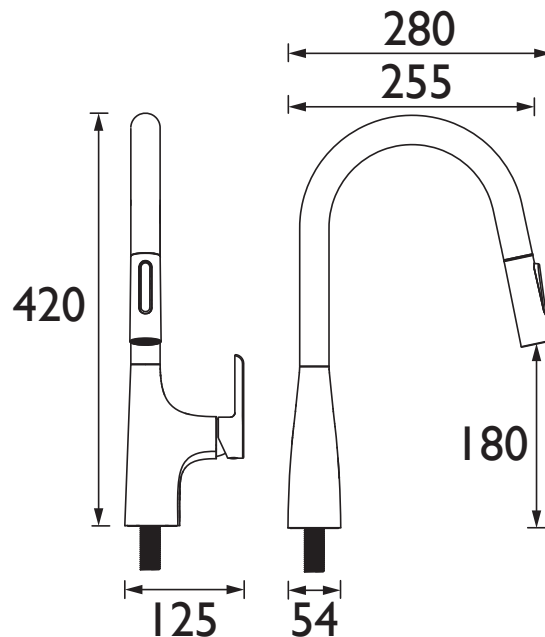
For more products, visit our website:  
<http://www.bristan.com>



### Specification

<b>Product Type:</b>	Kitchen Taps
<b>Main Construction Material:</b>	Brass
<b>Mount Type:</b>	Deck
<b>Handle Type:</b>	Lever
<b>Connection Inlet:</b>	1/2" BSP Flexible Tails
<b>Connection Outlet:</b>	Dual-Function Handset
<b>Number of Tap Holes:</b>	1
<b>Valve/Cartridge Type:</b>	35mm Single Lever Cartridge
<b>Plumbing System Requirements:</b>	Suitable for high pressure systems
<b>Minimum Dynamic Pressure (bar):</b>	1.5 bar
<b>Maximum Dynamic Pressure (bar):</b>	5 bar
<b>Maximum Hot Water Temperature °C:</b>	65°C
<b>Maximum Static Pressure (bar):</b>	10 bar
<b>Flow Type:</b>	Dual
<b>Isolation Included:</b>	No

### Dimensions (measurements in mm)



### Flow Rates (l/min)

System Pressure (bar)	1.5	2	3	4	5
GLL PROSNK C (mixed)	5.2	6	7.3	8.4	9.4

## TECHNICAL DATA SHEET



# BRISTAN

D2