

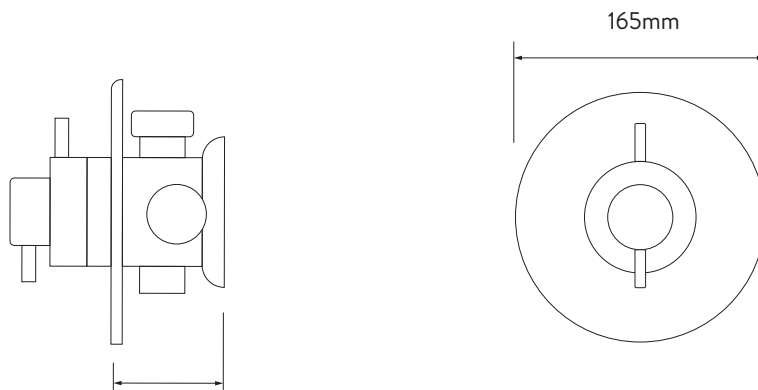
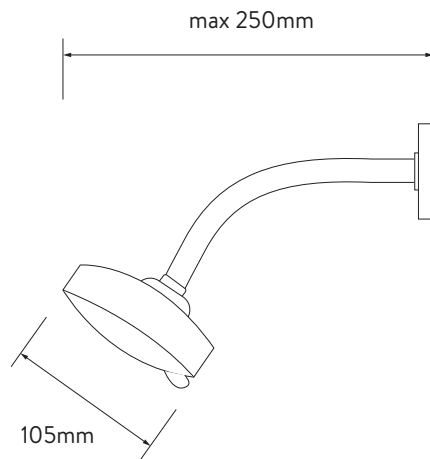
AQUALISA

ASPIRE DL CONCEALED MIXER SHOWER



WITH FIXED WALL HEAD

.....
DIMENSIONAL DRAWINGS



65mm min, 70mm max from back face
of valve to finished / tiled wall surface
(10mm allowance for tiles)

AQUALISA

ASPIRE DL CONCEALED MIXER SHOWER

ASP001CF

WITH FIXED WALL HEAD

TECHNICAL SPECIFICATIONS

Minimum pressure requirements	0.1 bar
Maximum pressure requirements	10 bar (Static)
Inlet fitting connections	15mm compression
Inlet supply positions	Hot/left, cold/right
Outlet connections	15mm compression
Valve inlet centres	145mm
Supply temperature	5 - 20°C Cold Supply 55 - 65°C Hot Supply
Water system	Gravity, Boosted Gravity, Combi and Balanced High Pressure
Features	All-metal valve
	Dual lever controls for water flow and temperature
	105mm Harmony shower head
	Eco-spray setting can deliver water savings of up to 25% without compromising the showering experience
	4 spray patterns including an eco-spray setting
Colour	Chrome
Guarantee period	Valve – 5 year guarantee
	Head and Kit – 2 year guarantee