

TECHNICAL DATA SHEET

HERITAGE[®] BATHROOMS

Dorchester

Standard Basin & Pedestal

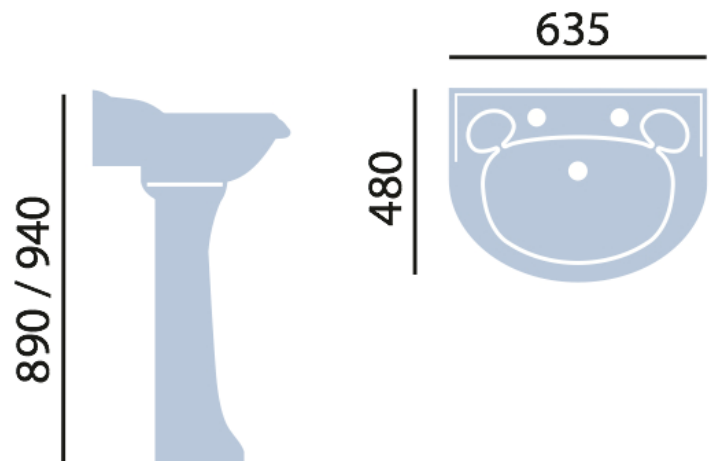
Product Specification

Product Codes:	PDW051 (1 Taphole) PDW05 (2 Taphole) PDW053 (3 Taphole) PDW09 (Pedestal) PDW10 (Tall Pedestal)
Finish:	White
Product Type:	Traditional
Construction:	Vitreous China
Dimensions for Fitting:	890/940 (H) mm, 635 (W) mm, 480 (D) mm



Additional Information

- Lifetime Guarantee
- 1, 2 or 3 Taphole options available
- Vitreous China Manufactured to: BSEN31:1999
BSI 188:1974
BS3402:1969



Technical Advice: For further information please call 0844 701 8503 or email technical@heritagebathrooms.com.

Guarantee: Lifetime Guarantee covering manufacturing faults.

Heritage Bathrooms, Birch Coppice Business Park, Dordon, Tamworth, B78 1SG
Telephone: 0844 701 8501 Facsimile: 0844 701 8502
Web Site: www.heritagebathrooms.com Email: technical@heritagebathrooms.com


delivery to showroom



D3

The information contained on this page was correct at date of issue. Fitting dimensions are provided as a guide only. Some variation may occur due to manufacturing tolerances. Heritage Bathrooms pursues a policy of continuing improvement in design and performance of its products and so reserves the right to change specifications without prior notice.